

# Intermodal II® Bolt Seal

The Intermodal II® is an ISO 17712: 2010, C-TPAT compliant high security bolt seal which consists of a steel bolt and a plastic-coated steel locking chamber. The Intermodal II container seals are designed for ISO containers and high value cargo shipments.



**ISO 17712: 2010 and C-TPAT COMPLIANT**

## APPLICATIONS

- Truck & Trailer Doors
- Box Car Doors
- Gaming
- Intermodal Containers

## FEATURES

- ISO 17712: 2010 and C-TPAT compliant.
- Locking insert spins freely to confirm seal integrity.
- High impact plastic cover on locking chambers clearly indicates tampering.
- Removed with bolt cutters.
- Metal locking end encased in a consecutively numbered, colored body.
- 'H' on bottom of body base indicating 'High Security'.

## MATERIAL

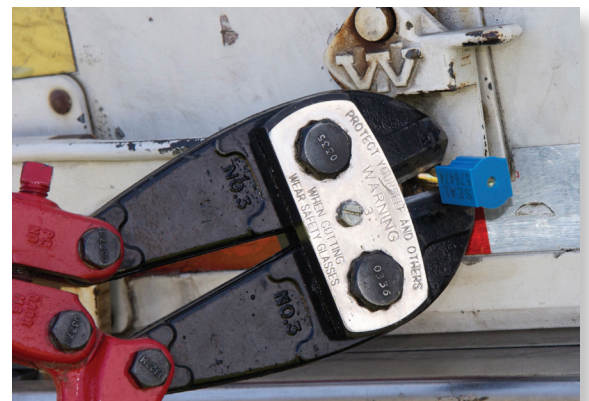
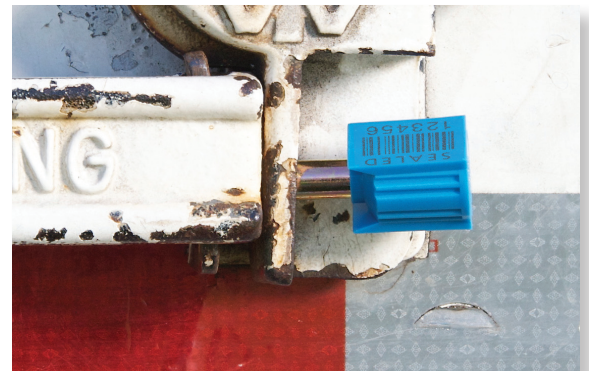
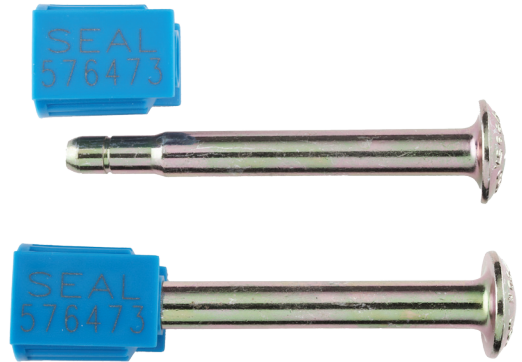
- Made of carbon steel with zinc chromate finish
- ABS plastic body on locking case

## DIMENSIONS

Bolt: 3.5" (89mm) long and 3/8" (9.5 mm) in diameter.  
Both bolt head and lack body conform to ISO 17712: 2010 specifications.

## STRENGTH CHARACTERISTICS

- Average pull-apart force is 4,713 lbs (2,138 kg, 21.0 kN)
- Average cutting force (shear) is 5,477 lbs (2,484 kg, 24.4 kN)
- Average impact force is 30-29 ft-lb (41-53 Nm)
- Bending moment: 63 ft-lb (85 Nm)



Seals shown not actual size.

# Intermodal II® Bolt Seal

## MARKING/PRINTING

- Stock seals have blue locking cases and are lazed with "SEALED"
- Characters are 1/4" (6.35mm) high
- Heat stamping or laser barcode marking also available

## STANDARD COLORS

Locking case:

Red / Blue / White / Green / Yellow / Orange



## PRODUCT NUMBERS

9254095-C - 3/8" (9mm) straight bolt, lazed locking case w/ steel insert

\*Note: C denotes color selection

## PACKAGING

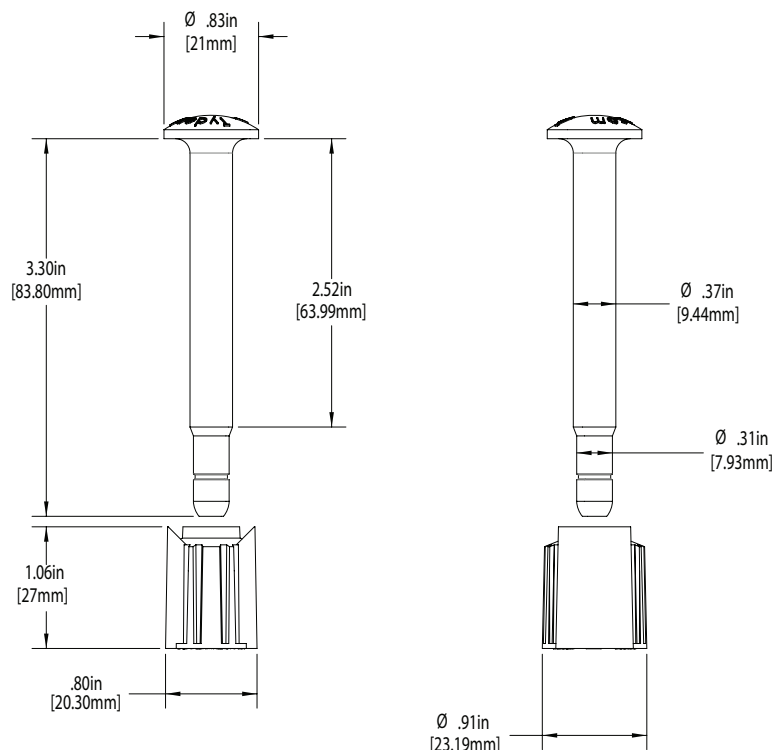
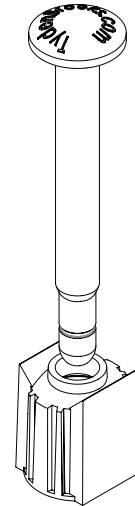
Standard Packaging: 10 Bolts/Bag

10 Locking Ends/Bag

250 Seals per Carton

Carton Dimensions: 11" x 11" x 7" (28cm x 28cm x 18cm)

Carton Weight Gross: 47 lbs (22 kg) Net: 45 lbs (21 kg)



Intermodal\_II\_11V2.pdf